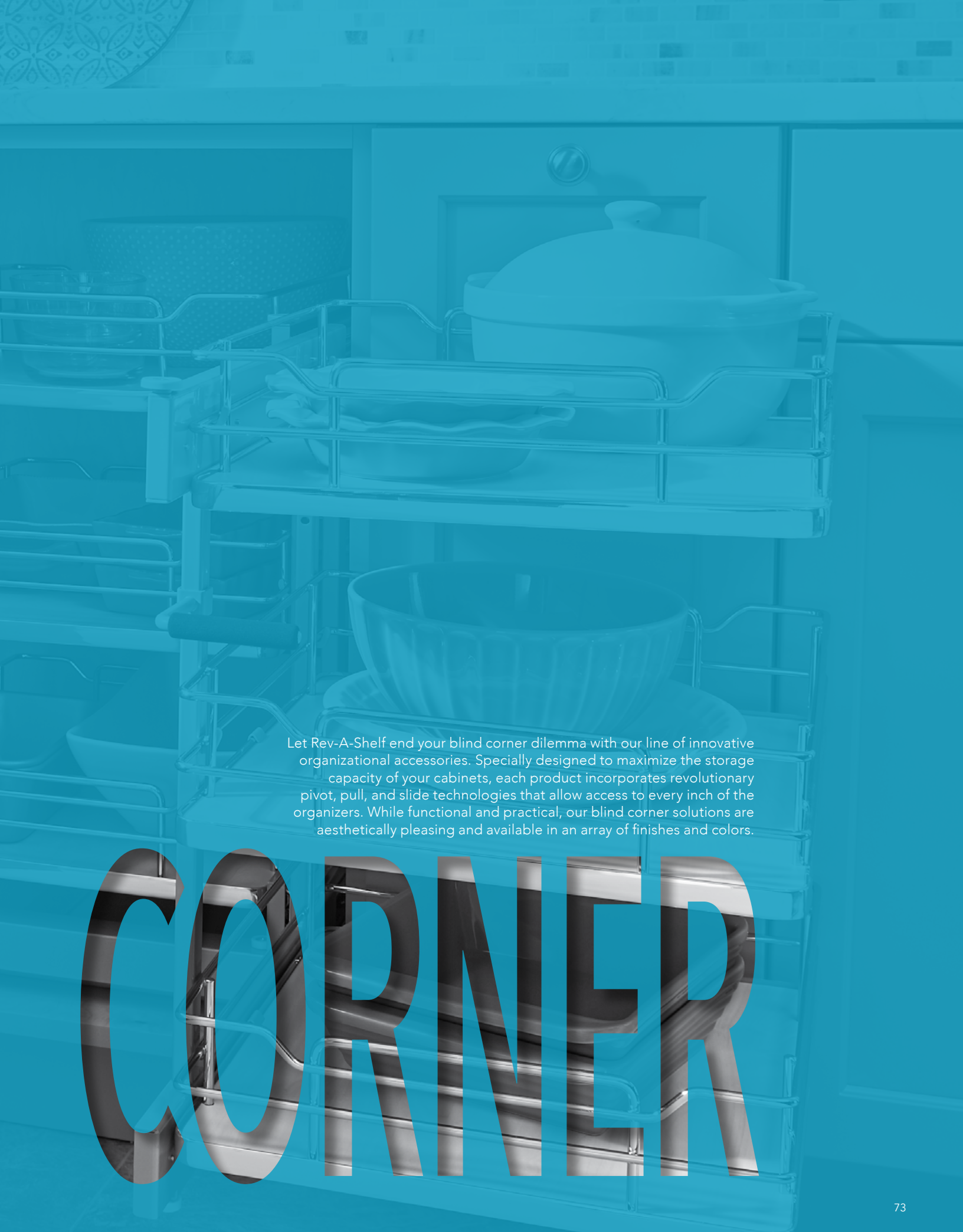




BLIND

PROP 65 WARNING FOR CALIFORNIA RESIDENTS
WARNING: These products can expose you to chemicals such as formaldehyde, lead or styrene, which are known to the State of California to cause cancer and birth defects or other reproductive harm. For more information go to www.P65Warnings.ca.gov





Let Rev-A-Shelf end your blind corner dilemma with our line of innovative organizational accessories. Specially designed to maximize the storage capacity of your cabinets, each product incorporates revolutionary pivot, pull, and slide technologies that allow access to every inch of the organizers. While functional and practical, our blind corner solutions are aesthetically pleasing and available in an array of finishes and colors.

CORNER



5372-21-FOG-R

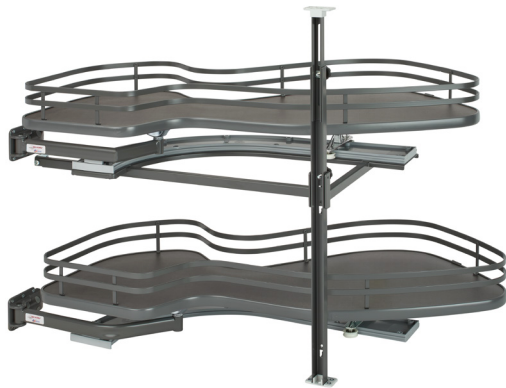
- Designed for 15", 18" and 21" blind corner cabinet openings
- Single and double solid bottom shelves, orion gray
- Textured linen finish with orion gray flat wire accents
- Left or right handed mounting
- Mounts to cabinet floor (single) and side walls (double)
- Mounted telescopic post system (double)
- 45 lb. capacity per shelf
- Soft-close available (sold separately)
- TSCA Title VI Compliant

PRODUCT #	SURFACE AREA
5371-15	361 sq. in.
5371-18	471 sq. in.
5371-21	527 sq. in.
5372-15	722 sq. in.
5372-18	942 sq. in.
5372-21	1054 sq. in.

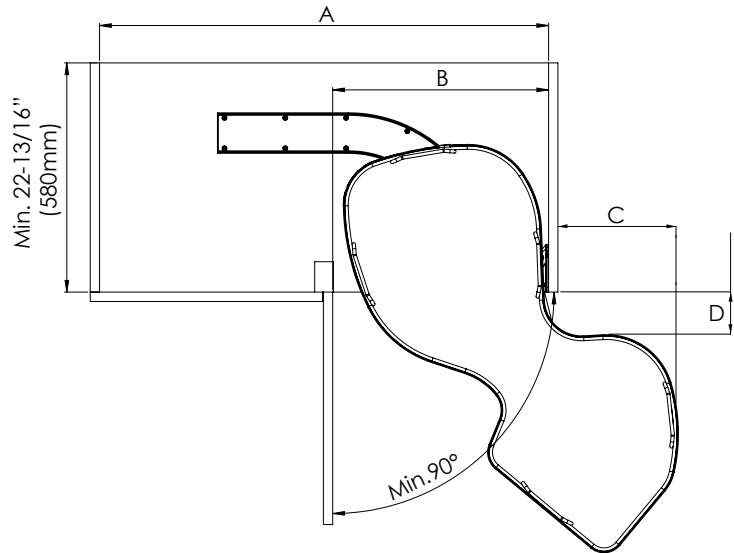
Min. Dimensions				
PRODUCT #	A	B	C	D
5371-15/ 5372-15	34" (864 mm)	15" (381 mm)	7" (180 mm)	4-1/8" (106mm)
5371-18/5372-18	38" (965 mm)	18" (457 mm)	9-3/16" (233 mm)	3-9/16" (91 mm)
5371-21/5372-21	40" (1016 mm)	21" (533 mm)	9-1/4" (235 mm)	3-7/8" (98 mm)



5371-21-FOG-R
Single Blind Corner organizer for
Right Door/Blind Left Cabinet
(21" Shelf shown)



5372-15-FOG-L
Single Blind Corner organizer for
Left Door/Blind Right Cabinet
(15" Shelves shown)



Featuring Orion gray flat wire with textured linen solid bottom

Single Blind Corner for Right Door/Blind Left Cabinets

PRODUCT	DESCRIPTION	DIMS	MCO	CAB	FINISH	SLP
5371-15-FOG-R	Single for 15" Cabinet Opening	33" (838 mm) W x 21-7/8" (556 mm) D x 6-1/2" (165 mm) H	15" (381 mm)	BC42	Orion Gray	\$292.75
5371-18-FOG-R	Single for 18" Cabinet Opening	37-5/8" (956 mm) W x 21-9/16" (548 mm) D x 6-1/2" (165 mm) H	18" (457 mm)	BC45	Orion Gray	\$299.70
5371-21-FOG-R	Single for 21" Cabinet Opening	39" (991 mm) W x 21-3/4" (553 mm) D x 6-1/2" (165 mm) H	21" (533 mm)	BC48	Orion Gray	\$301.75

Single Blind Corner for Left Door/Blind Right Cabinets

5371-15-FOG-L	Single for 15" Cabinet Opening	33" (838 mm) W x 21-7/8" (556 mm) D x 6-1/2" (165 mm) H	15" (381 mm)	BC42	Orion Gray	\$292.75
5371-18-FOG-L	Single for 18" Cabinet Opening	37-5/8" (956 mm) W x 21-9/16" (548 mm) D x 6-1/2" (165 mm) H	18" (457 mm)	BC45	Orion Gray	\$299.70
5371-21-FOG-L	Single for 21" Cabinet Opening	39" (991 mm) W x 21-3/4" (553 mm) D x 6-1/2" (165 mm) H	21" (533 mm)	BC48	Orion Gray	\$301.75

Double Blind Corner for Right Door/Blind Left Cabinets

5372-15-FOG-R	Double for 15" Cabinet Opening	33" (838 mm) W x 21-7/8" (556 mm) D x 24-1/2" (622 mm) H	15" (381 mm)	BC42	Orion Gray	\$699.35
5372-18-FOG-R	Double for 18" Cabinet Opening	37-5/8" (956 mm) W x 21-9/16" (548 mm) D x 24-1/2" (622 mm) H	18" (457 mm)	BC45	Orion Gray	\$714.55
5372-21-FOG-R	Double for 21" Cabinet Opening	39" (991 mm) W x 21-3/4" (553 mm) D x 24-1/2" (622 mm) H	21" (533 mm)	BC48	Orion Gray	\$719.20

Double Blind Corner for Left Door/Blind Right Cabinets

5372-15-FOG-L	Double for 15" Cabinet Opening	33" (838 mm) W x 21-7/8" (556 mm) D x 24-1/2" (622 mm) H	15" (381 mm)	BC42	Orion Gray	\$699.35
5372-18-FOG-L	Double for 18" Cabinet Opening	37-5/8" (956 mm) W x 21-9/16" (548 mm) D x 24-1/2" (622 mm) H	18" (457 mm)	BC45	Orion Gray	\$714.55
5372-21-FOG-L	Double for 21" Cabinet Opening	39" (991 mm) W x 21-3/4" (553 mm) D x 24-1/2" (622 mm) H	21" (533 mm)	BC48	Orion Gray	\$719.20

Soft-Close Kit

5371-SC-KIT-1	Soft-Close Kit for Single Shelf					\$63.80
5372-SC-KIT-2	Soft-Close Kit for Double Shelves					\$129.80



- Designed for 15", 18" and 21" blind corner cabinet openings
- Single and double solid bottom shelves, natural maple or gray
- Chrome round wire accents
- Left or right handed mounting
- Mounts to cabinet floor (single) and side walls (double)
- Mounted telescopic post system (double)
- 45 lb. capacity per shelf
- Soft-close available (sold separately)
- TSCA Title VI Compliant

5372-21-MP-R



For video visit:
rev-a-shelf.com/videos

PRODUCT #	SURFACE AREA
5371-15	361 sq. in.
5371-18	471 sq. in.
5371-21	527 sq. in.
5372-15	722 sq. in.
5372-18	942 sq. in.
5372-21	1054 sq. in.

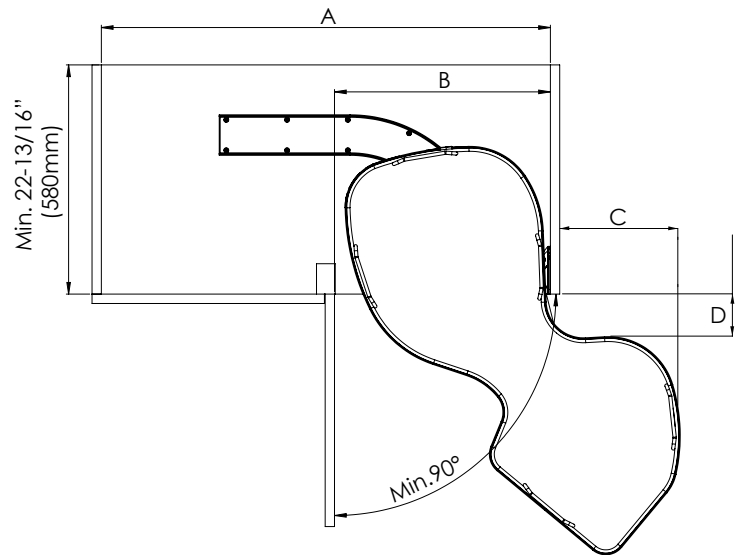
Min. Dimensions				
PRODUCT #	A	B	C	D
5371-15/ 5372-15	34" (864 mm)	15" (381 mm)	7" (180 mm)	4-1/8" (106 mm)
5371-18/5372-18	38" (965 mm)	18" (457 mm)	9-3/16" (233 mm)	3-9/16" (91 mm)
5371-21/5372-21	40" (1016 mm)	21" (533 mm)	9-1/4" (235 mm)	3-7/8" (98 mm)



5371-21-GR-R
Single Blind Corner organizer for
Right Door/Blind Left Cabinet
(21" Gray Shelf shown)



5372-15-MP-L
Single Blind Corner organizer for
Left Door/Blind Right Cabinet
(15" Maple Shelves shown)

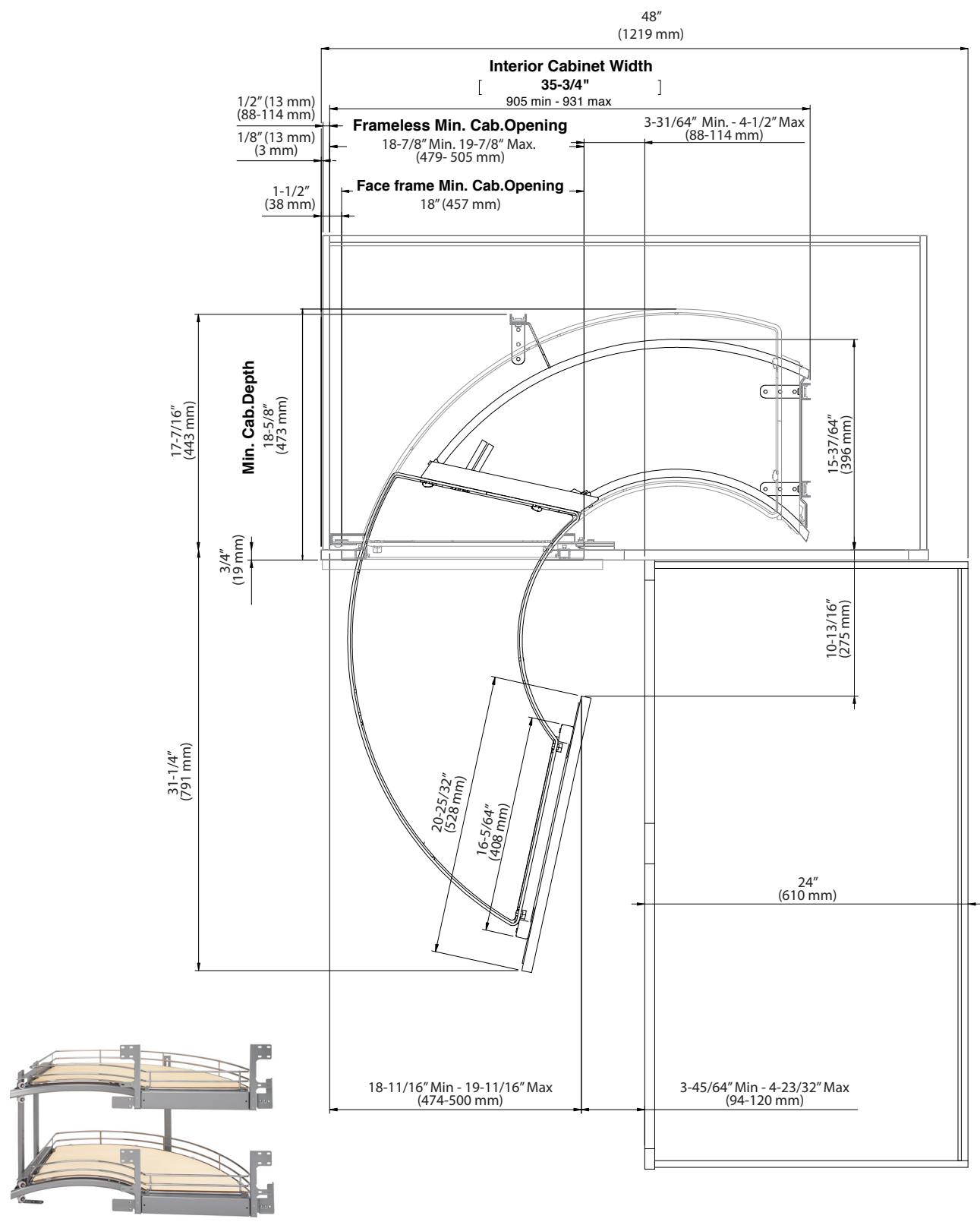


NOTE: ** Insert "MP" for Maple Shelf or "GR" for Gray Shelf

Single Blind Corner for Right Door/Blind Left Cabinets						
PRODUCT	DESCRIPTION	DIMS	MCO	CAB	Maple	Gray
5371-15-**-R	Single for 15" Cabinet Opening	33" (838 mm) W x 21-7/8" (556 mm) D x 6-1/2" (165 mm) H	15" (381 mm)	BC42	\$263.05	\$257.95
5371-18-**-R	Single for 18" Cabinet Opening	37-5/8" (956 mm) W x 21-9/16" (548 mm) D x 6-1/2" (165 mm) H	18" (457 mm)	BC45	\$270.00	\$265.05
5371-21-**-R	Single for 21" Cabinet Opening	39" (991 mm) W x 21-3/4" (553 mm) D x 6-1/2" (165 mm) H	21" (533 mm)	BC48	\$271.45	\$266.35
Single Blind Corner for Left Door/Blind Right Cabinets						
5371-15-**-L	Single for 15" Cabinet Opening	33" (838 mm) W x 21-7/8" (556 mm) D x 6-1/2" (165 mm) H	15" (381 mm)	BC42	\$263.05	\$257.95
5371-18-**-L	Single for 18" Cabinet Opening	37-5/8" (956 mm) W x 21-9/16" (548 mm) D x 6-1/2" (165 mm) H	18" (457 mm)	BC45	\$270.00	\$265.05
5371-21-**-L	Single for 21" Cabinet Opening	39" (991 mm) W x 21-3/4" (553 mm) D x 6-1/2" (165 mm) H	21" (533 mm)	BC48	\$271.45	\$266.35
Double Blind Corner for Right Door/Blind Left Cabinets						
5372-15-**-R	Double for 15" Cabinet Opening	33" (838 mm) W x 21-7/8" (556 mm) D x 24-1/2" (622 mm) H	15" (381 mm)	BC42	\$671.50	\$661.20
5372-18-**-R	Double for 18" Cabinet Opening	37-5/8" (956 mm) W x 21-9/16" (548 mm) D x 24-1/2" (622 mm) H	18" (457 mm)	BC45	\$685.55	\$645.40
5372-21-**-R	Double for 21" Cabinet Opening	39" (991 mm) W x 21-3/4" (553 mm) D x 24-1/2" (622 mm) H	21" (533 mm)	BC48	\$688.30	\$678.30
Double Blind Corner for Left Door/Blind Right Cabinets						
5372-15-**-L	Double for 15" Cabinet Opening	33" (838 mm) W x 21-7/8" (556 mm) D x 24-1/2" (622 mm) H	15" (381 mm)	BC42	\$671.50	\$661.20
5372-18-**-L	Double for 18" Cabinet Opening	37-5/8" (956 mm) W x 21-9/16" (548 mm) D x 24-1/2" (622 mm) H	18" (457 mm)	BC45	\$685.55	\$645.40
5372-21-**-L	Double for 21" Cabinet Opening	39" (991 mm) W x 21-3/4" (553 mm) D x 24-1/2" (622 mm) H	21" (533 mm)	BC48	\$688.30	\$678.30
Soft-Close Kit						
5371-SC-KIT-1	Soft-Close Kit for Single Shelf					\$63.80
5372-SC-KIT-2	Soft-Close Kit for Double Shelves					\$129.80



- Designed for face frame 18" blind corner cabinet openings (full access 18-7/8" min.)
- Two-tier metal frame
- (2) solid bottom shelves with Stylinox™ anti-skid finish, natural maple
- Chrome round wire accents
- Soft-close slides
- Left or right handed mounting
- Mounts to cabinet door, floor and side walls
- Adjustable mounting brackets
- 60 lb. capacity per shelf
- Shelves operate independently
- TSCA Title VI Compliant



582-18-RMP
Two-Tier Blind Corner Organizer
(Right Door for Blind Left Corner Cabinet Shown)

PRODUCT #	SURFACE AREA
582-18*	361 sq. in.

MINIMUM CABINET HEIGHT
22" (559 mm)

* 18-7/8" to 19-7/8" FULL ACCESS cabinet opening

Two-Tier Blind Corner						
PRODUCT	DESCRIPTION	DIMS	MCO	CAB	FINISH	SLP
582-18-RMP	Right Door Mount for Blind Left Corner Cabinet	See Drawing Above	18" (457 mm)	BC45	Maple/Chrome	\$980.05
582-18-LMP	Left Door Mount for Blind Right Corner Cabinet	See Drawing Above	18" (457 mm)	BC45	Maple/Chrome	\$980.05

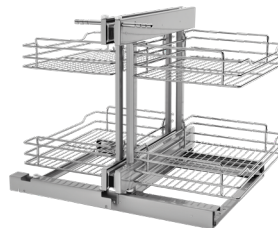


- Designed for 15" and 18" blind corner cabinet openings
- Two- or three-tier wire frame
- (4) or (6) wire bottom shelves with round wire accents
- Full-extension, ball-bearing, 100 lb. rated slides
- Universal mounting, non-handed
- Mounts to cabinet floor
- 15 lb. capacity per shelf
- Soft-close available (sold separately)

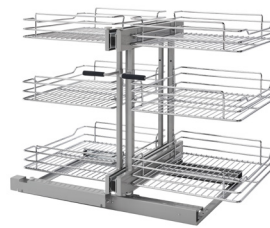


For video visit:
rev-a-shelf.com/videos

PRODUCT #	SURFACE AREA
5PSP-15-CR	194 in ² per shelf
5PSP-18-CR	243 in ² per shelf
5PSP-15SC-CR	194 in ² per shelf
5PSP-18SC-CR	243 in ² per shelf
5PSP3-15-CR	194 in ² per shelf
5PSP3-18-CR	243 in ² per shelf



5PSP-15-CR
 Two-Tier Blind Corner Optimizer
 (15" Non Soft-Close version shown)



5PSP3-18SC-CR
 Three-Tier Blind Corner Optimizer
 w/ Soft-Close
 (18" version shown)



Unit partially extended

Three-Tier Wire Bottom Blind Corner Optimizer - Non-Handed w/ Soft-Close

PRODUCT	DESCRIPTION	DIMS	MCO	CAB	FINISH	SLP
5PSP3-15SC-CR	Three-Tier Blind Corner Optimizer	26-1/4" (667 mm) W x 20-1/4" (514 mm) D x 24" (610 mm) H	15" (381 mm)	FHBC42	Chrome	\$685.40
5PSP3-18SC-CR	Three-Tier Blind Corner Optimizer	32-1/4" (819 mm) W x 20-1/4" (514 mm) D x 24" (610 mm) H	18" (457 mm)	FHBC45	Chrome	\$752.10

Two-Tier Wire Bottom Blind Corner Optimizer - Non-Handed w/Soft-Close

5PSP-15SC-CR	Two-Tier Blind Corner Optimizer	26-1/4" (667 mm) W x 20-1/4" (514 mm) D x 21" (533 mm) H	15" (381 mm)	BC42	Chrome	\$604.05
5PSP-18SC-CR	Two-Tier Blind Corner Optimizer	32-1/4" (819 mm) W x 20-1/4" (514 mm) D x 21" (533 mm) H	18" (457 mm)	BC45	Chrome	\$676.15

Two-Tier Wire Bottom Blind Corner Optimizer - Non-Handed

5PSP-15-CR	Two-Tier Blind Corner Optimizer	26-1/4" (667 mm) W x 20-1/4" (514 mm) D x 21" (533 mm) H	15" (381 mm)	BC42	Chrome	\$583.65
5PSP-18-CR	Two-Tier Blind Corner Optimizer	32-1/4" (819 mm) W x 20-1/4" (514 mm) D x 21" (533 mm) H	18" (457 mm)	BC45	Chrome	\$650.60

Solid Bottom Blind Corner Optimizer

53PSP Series

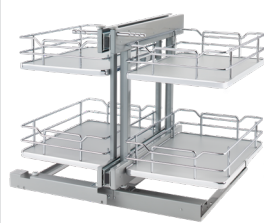


- Designed for full height 15" and 18" blind corner cabinet openings
- Two- or three-tier metal frame
- (4) or (6) solid bottom shelves, natural maple or gray
- Chrome round wire accents
- Full-extension, ball-bearing, 100 lb. rated slides with soft-close
- Universal mounting, non-handed
- Mounts to cabinet floor
- 27 lb. (per front shelf) and 34 lb. (per back shelf) capacity
- TSCA Title VI Compliant

53PSP-18SC-MP



Unit partially extended



53PSP-15SC-GR
Two-Tier Blind Corner Optimizer w/ Soft-Close
(15" version shown)



53PSP3-18SC-MP
Three-Tier Blind Corner Optimizer w/ Soft-Close
(18" version shown)



For video visit:
rev-a-shelf.com/videos

PRODUCT #	SURFACE AREA
53PSP3-15SC-**	194 in ² per shelf
53PSP3-18SC-**	243 in ² per shelf
53PSP-15SC-**	194 in ² per shelf
53PSP-18SC-**	243 in ² per shelf

NOTE: ** Insert "MP" for Maple Shelf or "GR" for Gray Shelf

Two-Tier Solid Bottom Blind Corner Optimizer- Non-Handed w/ Soft-Close

PRODUCT	DESCRIPTION	DIMS	MCO	CAB	Maple	Gray
53PSP-15SC-**	Two-Tier Blind Corner Optimizer	26-1/4" (667 mm) W x 20-1/4" (514 mm) D x 21" (533 mm) H	15" (381 mm)	BC42	\$750.65	\$741.65
53PSP-18SC-**	Two-Tier Blind Corner Optimizer	32-1/4" (819 mm) W x 20-1/4" (514 mm) D x 21" (533 mm) H	18" (457 mm)	BC45	\$794.75	\$783.00

Three-Tier Solid Bottom Blind Corner Optimizer - Non-Handed w/ Soft-Close

53PSP3-15SC-**	Three-Tier Blind Corner Optimizer	26-1/4" (667 mm) W x 20-1/4" (514 mm) D x 24" (610 mm) H	15" (381 mm)	FHBC42	\$961.35	\$943.65
53PSP3-18SC-**	Three-Tier Blind Corner Optimizer	26-1/4" (667 mm) W x 20-1/4" (514 mm) D x 24" (610 mm) H	18" (457 mm)	FHBC45	\$1,021.65	\$1,004.00



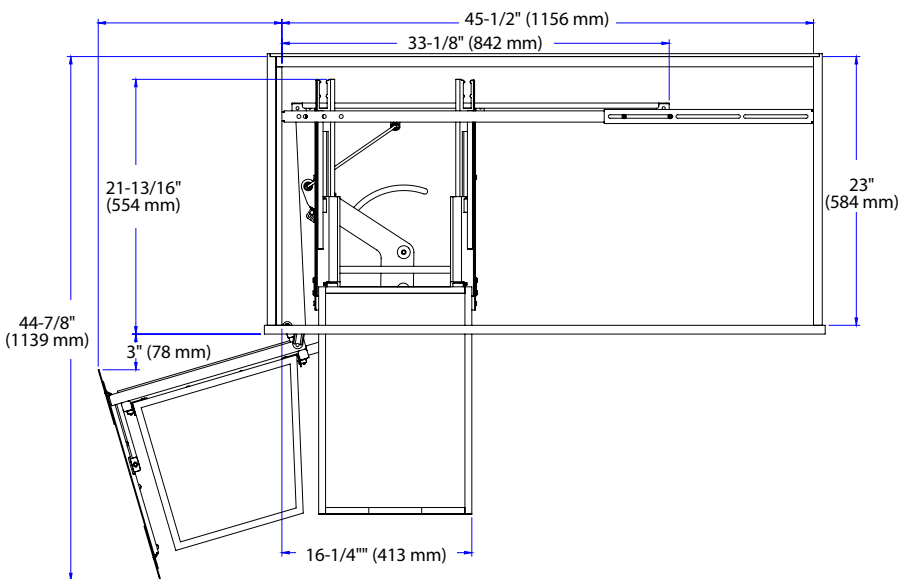
- Designed for 18" blind corner cabinet openings
- Two-tier frame, orion gray
- (4) drawers, walnut dovetail construction with satin finish
- Full-extension, TANDEM, 110 lb. rated slides with BLUMOTION soft-close
- Mounts to cabinet floor and side wall
- Left or right handed options
- 20 lb. capacity per shelf
- Patented door mount brackets with micro-adjustment (US Patent No. 8,388,076)
- TSCA Title VI Compliant



499-18-RWN



499-18-LWN
Two-Tier Organizer
(Left 18" version shown)



MINIMUM CABINET HEIGHT
27" (686 mm)

Walnut Two-Tier Blind Corner Optimizer w/ Soft-Close

PRODUCT	DESCRIPTION	DIMS	MCO	CAB	FINISH	SLP
499-18-RWN	Right Door Mount for Blind Right	33-3/16" (842 mm) W x 21-13/16" (554 mm) D x 26" (660 mm) H	18" (457 mm)	FHBC45	Walnut	\$1,706.65
499-18-LWN	Left Door Mount for Blind Left	33-3/16" (842 mm) W x 21-13/16" (554 mm) D x 26" (660 mm) H	18" (457 mm)	FHBC45	Walnut	\$1,706.65

Solid Bottom Two-Tier Blind Corner Optimizer

599 Series

Blind Corner Solutions

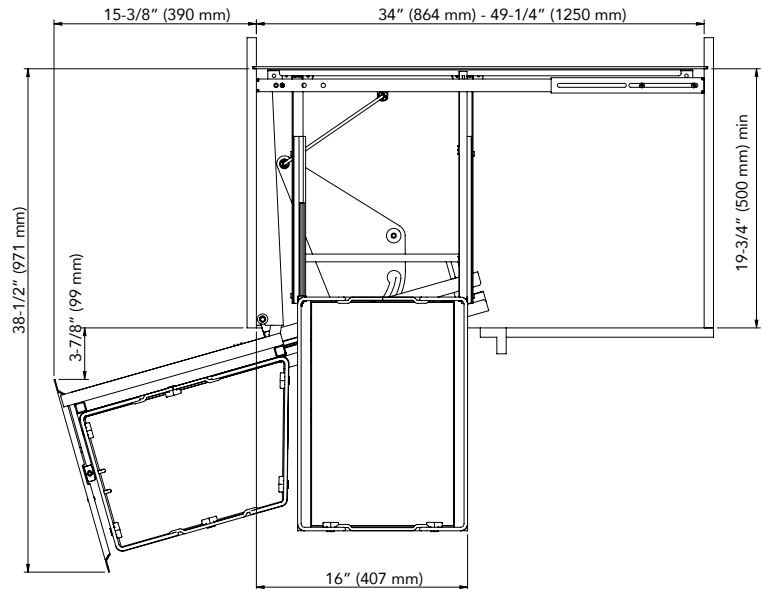


- Designed for 18" blind corner cabinet openings
- Two-tier metal frame
- (4) solid bottom shelves with Stylinox™ anti-skid finish, natural maple
- Chrome round wire accents
- Full-extension, progressive roller, 75 lb. rated slides with soft-close
- Left or right handed mounting
- Mounts to cabinet door, floor and side walls
- Adjustable mounting brackets
- 20 lb. capacity per shelf
- Rear shelves slide forward as door opens
- TSCA Title VI Compliant

599-18-LMP



599-18-RMP
Solid Bottom Two-Tier
(Right 18" version shown)



MINIMUM CABINET HEIGHT

26-5/8" (676 mm)

PRODUCT # SURFACE AREA

599-18-L/RMP 726 sq. in.

Solid Bottom Two-Tier Blind Corner Optimizer w/ Soft-Close

PRODUCT	DESCRIPTION	DIMS	MCO	CAB	FINISH	SLP
599-18-LMP	Left Door Mount for Blind Right Corner Cabinet	See Drawings Above	18" (457 mm)	FHBC45	Maple/Chrome	\$1,521.20
599-18-RMP	Right Door Mount for Blind Left Corner Cabinet	See Drawings Above	18" (457 mm)	FHBC45	Maple/Chrome	\$1,521.20

5707 Series

Wire Bottom Two-Tier Blind Corner Optimizer

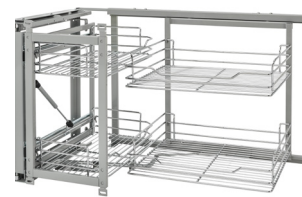
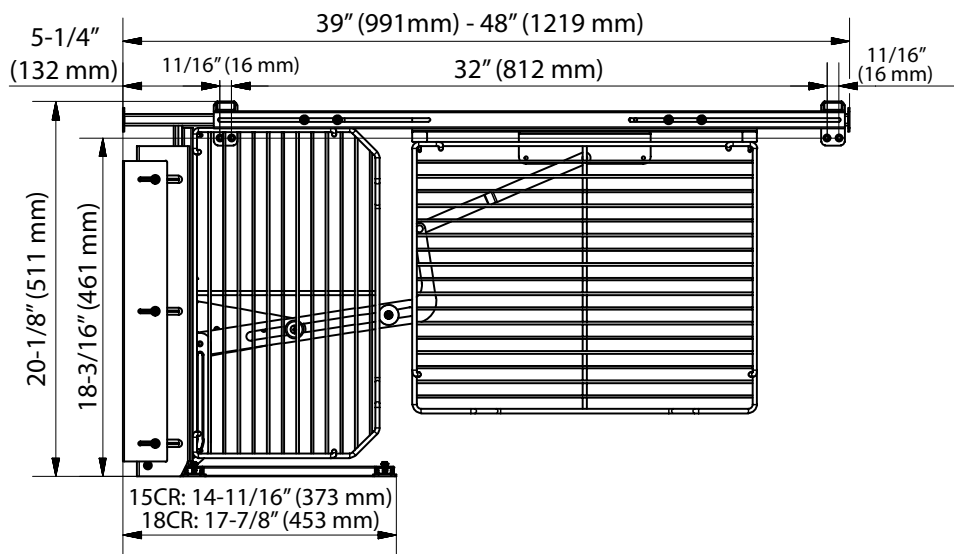
Blind Corner Solutions



- Designed for 18" blind corner cabinet openings
- Two-tier frame, orion gray
- (4) drawers, walnut dovetail construction with satin finish
- Full-extension, TANDEM, 110 lb. rated slides with BLUMOTION soft-close
- Mounts to cabinet floor and side wall
- Left or right handed options
- 20 lb. capacity per shelf
- Patented door mount brackets with micro-adjustment (US Patent No. 8,388,076)
- TSCA Title VI Compliant



5707-18CR



5707-15CR
Wire Bottom Two-tier Blind Corner Optimizer
(15" version shown)



For video visit:
rev-a-shelf.com/videos

MINIMUM CABINET HEIGHT

20-1/2" (521 mm)

Wire Bottom Two-Tier Blind Corner Organizer w/ Soft-Close

PRODUCT	DESCRIPTION	DIMS	MCO	CAB	FINISH	SLP
5707-15CR	Blind Corner Organizer for 15" Opening	See detailed specifications above in illustration	15" (381 mm)	BC42	Chrome	\$967.30
5707-18CR	Blind Corner Organizer for 18" Opening	See detailed specifications above in illustration	18" (457 mm)	BC45	Chrome	\$970.05

Wood Half-Moon Lazy Susan

LD-4NW Series

Blind Corner Solutions



- Designed for 12", 15" and 18" blind corner cabinet openings
- Double solid bottom shelves, natural or wood classic
- Wood classic features solid rim and natural features steam bent rim
- Pivot and slide hardware
- 90 degree hinge euro brackets and standard mounting brackets
- Chrome-plated shafts
- TSCA Title VI Compliant

4WLS882-38-570



Natural maple half moon Lazy Susan slide and pivot mechanism

Wood Classic Half Moon Lazy Susans

PRODUCT	DESCRIPTION	DIMS	MCO	CAB	FINISH	SLP
4WLS882-32-570	Double Shelf with Pivot and Slide	32" (813 mm) L	12" (305 mm)	BC42	Maple	\$358.60
4WLS882-35-570	Double Shelf with Pivot and Slide	35" (889 mm) L	15" (381 mm)	BC45	Maple	\$411.95
4WLS882-38-570	Double Shelf with Pivot and Slide	38" (965 mm) L	18" (457 mm)	BC48	Maple	\$473.15

Natural Wood Half Moon Lazy Susans

LD-4NW-882-32-1	Double Shelf with Pivot and Slide	32" (813 mm) L	12" (305 mm)	BC42	Maple	\$350.60
LD-4NW-882-35-1	Double Shelf with Pivot and Slide	35" (889 mm) L	15" (381 mm)	BC45	Maple	\$399.60
LD-4NW-882-38-1	Double Shelf with Pivot and Slide	38" (965 mm) L	18" (457 mm)	BC48	Maple	\$432.10

- Designed for 42", 45", and 48" blind corner cabinets
- Single and double solid bottom polymer shelves, almond or white
- Non-handed
- Pivot and slide hardware
- 90 degree hinge euro brackets and standard mounting brackets
- Chrome-plated shafts



6882-31-11



Polymer half moon Lazy Susan slide and pivot mechanism

**Available colors: 11 White, 15 Almond

(2) Shelf RAS Polymer Lazy Susan w/ Pivot

PRODUCT	DESCRIPTION	DIMS	MCO	CAB	FINISH	SLP
6842-31-**-570	(2) Shelf Set	31" (787 mm) L	13- 1/4" (337 mm)	BC42	Polymer	\$179.95
6842-33-**-570	(2) Shelf Set	33" (838 mm) L	16- 1/8" (410 mm)	BC45	Polymer	\$194.00
6842-39-**-570	(2) Shelf Set	39" (991 mm) L	19- 1/4" (489 mm)	BC48	Polymer	\$214.00

RAS Polymer Lazy Susan w/ Pivot and Slide

6881-31-**-52	Single Shelf	31" (787 mm) L	13- 1/4" (337 mm)	BC42	Polymer	\$160.65
6881-33-**-52	Single Shelf	33" (838 mm) L	16- 1/8" (410 mm)	BC45	Polymer	\$163.40
6881-39-**-52	Single Shelf	39" (991 mm) L	19- 1/4" (489 mm)	BC48	Polymer	\$184.45

(2) Shelf RAS Polymer Lazy Susan w/ Pivot and Slides

6882-31-**-570	(2) Shelf Set	31" (787 mm) L	13- 1/4" (337 mm)	BC42	Polymer	\$269.10
6882-33-**-570	(2) Shelf Set	33" (838 mm) L	16- 1/8" (410 mm)	BC45	Polymer	\$270.70
6882-39-**-570	(2) Shelf Set	39" (991 mm) L	19- 1/4" (489 mm)	BC48	Polymer	\$295.05

Hardware

6882-1008-04-52	Half Moon Slide Kit (1 Pair)	10- 1/2" (267 mm) Extension			Polymer	\$47.70
-----------------	------------------------------	-----------------------------	--	--	---------	---------



- Designed for 18-1/2" min. blind corner cabinet opening
- Single chrome wire bottom shelf
- Ball-bearing slides
- Pivot and slide hardware
- Chrome-plated shafts



Chrome wire half moon Lazy Susan slide and pivot mechanism

Chrome Wire Lazy Susan

PRODUCT	DESCRIPTION	DIMS	MCO	CAB	FINISH	SLP
5881-33CR-1	Single Shelf Pivot and Slide	33-29/32" (861 mm) W x 18-1/2" (470 mm) L x 4-5/8" 188 mm H	18-1/2" (469 mm)	BC48	Chrome	\$131.65